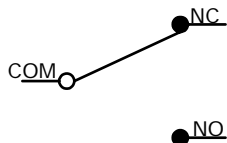


P.C. MOUNTING

O.P. (MM)	P.T. (MM)
5.5 ± 0.5	0.5

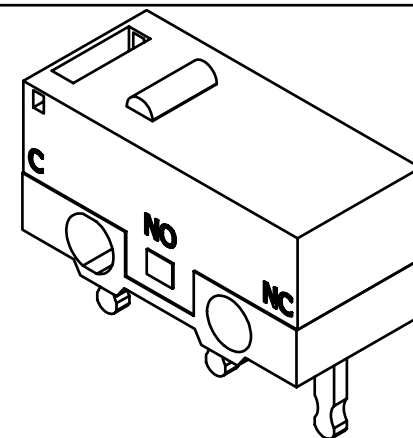
O.P. = OPERATING POINT
P.T. = PER-TRAVEL



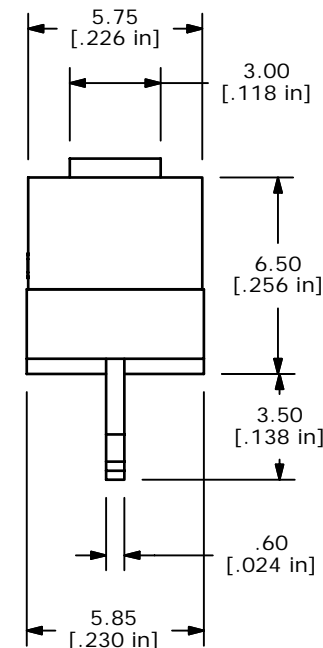
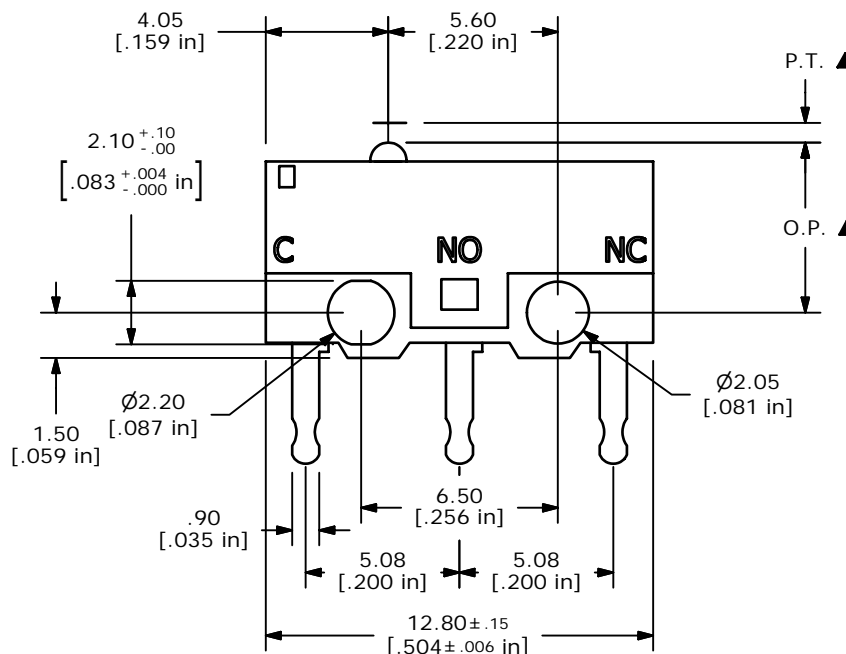
CIRCUIT: SPDT

NOTES:

1. ALL DIMENSIONS IN MM [INCH]
2. GENERAL TOLERANCE: X.X=± 0.4
X.XX=± 0.25
- ▲ 3. RATING: 3A @125VAC UL, CSA APPROVED
4. TERM. NOS. FOR REF. ONLY
- ▲ 5. OPERATING FORCE: 60± 5 GRAMS
6. OPERATING TEMP: -25°C TO 85°C
7. ELECTRICAL LIFE: 300,000 CYCLES MIN.
8. INSULATION RESISTANCE: 100 MEGA-OHMS
9. DIELECTRIC STRENGTH: 1000V RMS AT SEA LEVEL
10. ▲ DENOTES CRITICAL PARAMETER.
11. 2002/95/EC (ROHS) COMPLIANT
12. CONTACT MATERIAL SILVER



ISOMETRIC



TITLE DM0850300F060P1A

B	17474	REVISED AND REDRAWN	7/16/07	BF
REV	PCR NO	DESCRIPTION	DATE	BY

THE INFORMATION CONTAINED IN THIS DOCUMENT IS PROPRIETARY TO E-SWITCH AND IS NOT TO BE COPIED OR TRANSFERRED

SCALE	DATE	DR	DWG	REV
4:1	7/16/2007	BF	P030017	B